

BOCK

WATER HEATERS

High Efficiency Condensing Commercial Gas Water Heaters

Up to 99% Thermal Efficiency

■ Three-Year Limited Tank/Heat Exchanger Warranty

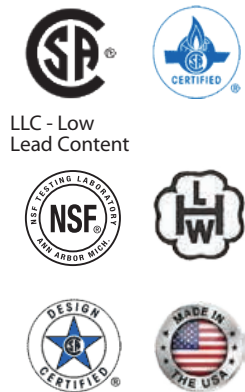
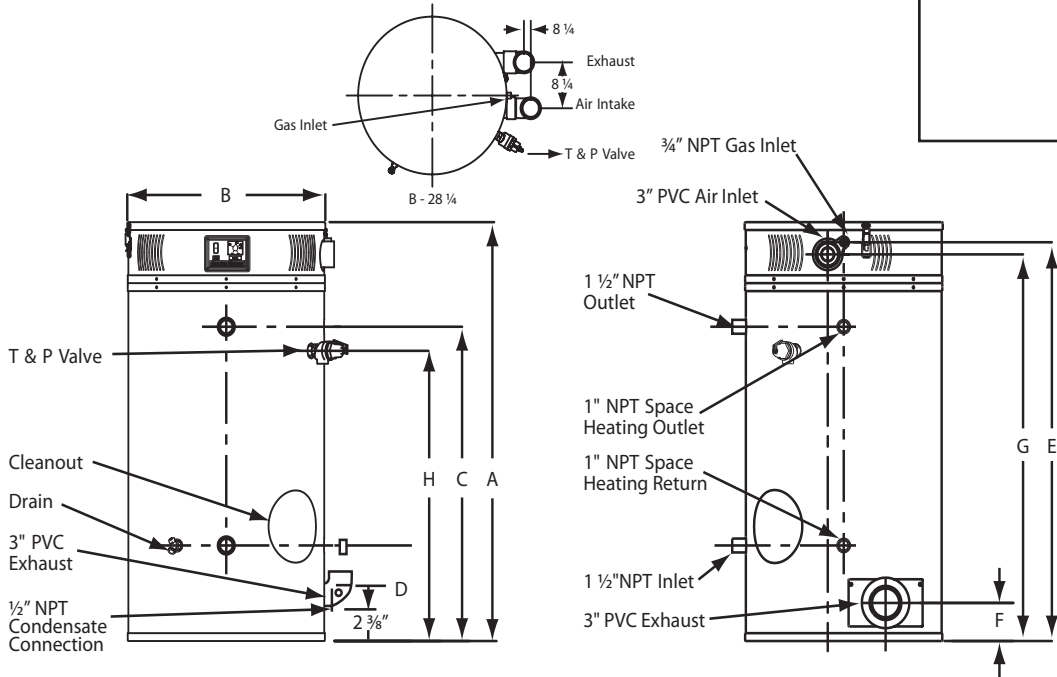
- 125,000 to 199,999 BTU/hr
- 60 gallon capacity
- Available in natural gas or LP gas
- PVC conventional, through-the wall or direct vent
- Premix power burner
- Non-CFC foam insulation
- Electronic ignition and controls
- Zero inch clearance to combustibles
- Glass-lined storage tank
- Hand hole cleanout
- Sediment reduction system
- NSF kit available
- Concentric vent kit available
- Ultra-Low NOx SCAQMD certified
- Design certified by CSA International (formerly AGA/CGA)
- Made in the USA



COMMERCIAL
• HIGH EFFICIENCY CONDENSING •

WE TAKE WATER HEATERS PERSONALLY

This product is available from:



Determining Required Vent Length

1. Determine the total length of straight vent pipe (in feet) required for both the intake and the exhaust.
2. Add 5 feet of venting for every 90° elbow.
3. Add 2 1/2 feet of venting for every 45° elbow.
4. Total vent length cannot exceed "Max Length" in the above chart.
5. Air intake cannot exceed exhaust by more than 30 feet in any venting situation.

Do not include the 3" exhaust elbow or vent terminals in determining maximum vent length.

Maximum Venting Lengths (Combined) (Max. Vent = Exhaust + Intake)

Model	3" PVC, ABS & CPVC	4" PVC, ABS & CPVC
60HEC-125	120 ft.	170 ft.
60HEC-150	100 ft.	150 ft.
60HEC-199	80 ft.	130 ft.

NOTE: 3" + 4" - 90° Elbows = 5' pipe
3" + 4" - 45° Elbows = 2.5' pipe

Model	Storage GAL (L)	Rated Input BTU/HR (kW)	Thermal Eff. %	1st Hour Delivery @ 100°F Rise GAL (L)	Recovery GAL/HR (L/HR) @ Degree Rise			Dimensions in Inches (cm)								Water Conn. Dia. NPT	Shipping Weight LBS (kg)
					40° F (22° C)	100° F (56° C)	140° F (78° C)	A	B	C	D	E	F	G	H		
60HEC-125	60 (227.12)	125,000 (36.63)	96.0%	187 (707.87)	364 (1,377.89)	145 (548.88)	104 (393.68)	57.00 (144.78)	28.25 (71.76)	42.00 (106.68)	13.00 (33.02)	53.50 (135.89)	5.00 (12.70)	52.50 (133.34)	40.00 (101.60)	1.50	570 (258.55)
60HEC-150	60 (227.12)	150,000 (43.96)	93.0%	211 (798.72)	423 (1,601.23)	169 (639.73)	121 (458.03)	57.00 (144.78)	28.25 (71.76)	42.00 (106.68)	13.00 (33.02)	53.50 (135.89)	5.00 (12.70)	52.50 (133.34)	40.00 (101.60)	1.50	570 (258.55)
60HEC-199	60 (227.12)	199,999 (58.61)	92.0%	265 (1,003.13)	558 (2,112.26)	223 (844.15)	159 (601.88)	57.00 (144.78)	28.25 (71.76)	42.00 (106.68)	13.00 (33.02)	53.50 (135.89)	5.00 (12.70)	52.50 (133.34)	40.00 (101.60)	1.50	570 (258.55)

115V A.C. Required.

T&P Valve, Brass Drain Valve, Dielectric Fittings, Magnesium Anode Rods: Factory Installed.

Pressures (all): Working Pressure, 150 psi; Tested Pressure, 300 psi.

AMP Draw Range: = 1.0 to 1.8 amps

These models meet or exceed the Thermal Efficiency and Standby Loss Requirements of ASHRAE 90.1b current standard.

Warning: Installation on hard surface only. Installation should be in accordance with all national and/or local codes. In the absence of local codes, refer to NFPA 54.

Caution: The recommended maximum hot water temperature setting for normal residential use is 120°F. Bock recommends a tempering valve or anti-scald valve be installed and used according to the manufacturer's directions to prevent scalding.